



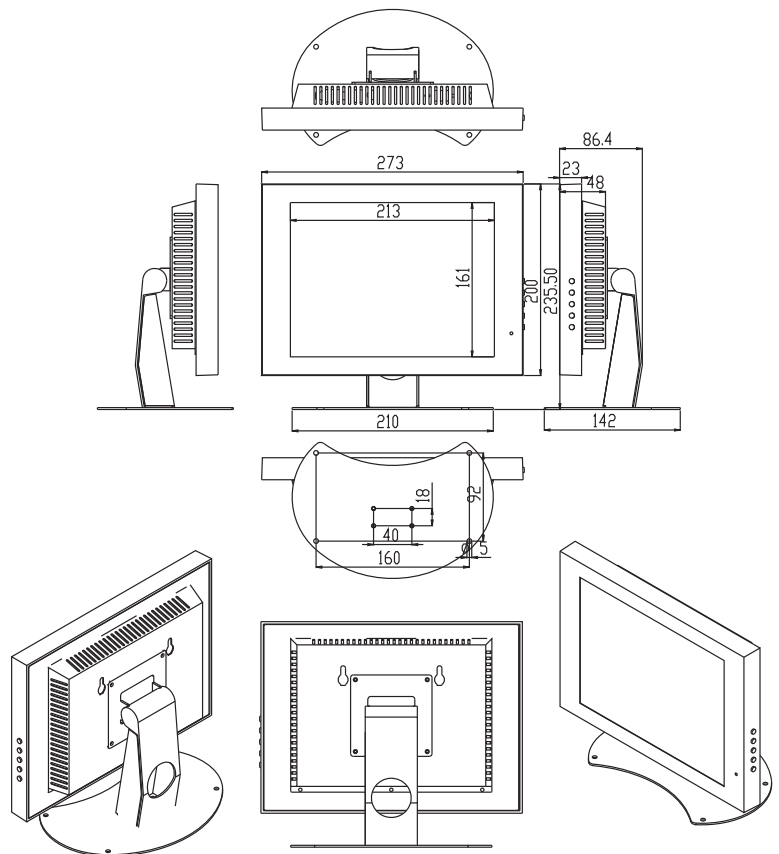
❖ MM-104

5 Wire Resistive Touch Screen LCD Monitor

Specification

LCD Type	10.4" Active Matrix , TFT
Aspect Ratio	4:3 Format
Resolution	800 x 600
Pixel Pitch	0.264mm x 0.264mm
Active Area	211.2 x 158.4
Contrast Ratio	700:1 (typ.)
Brightness	400(cd/m ²)
View Angle (H/V)	160 / 140
Response Time	30ms. (typ.)
Backlight Type	LED Backlight
Input Signal	VGA / DVI-D (option)
Plug & Play (pnp.)	VESA DDC 2B
Display Control	Display On / Off , Adjustment , OSD Control
Power Input	DC 12 V Adapter
Power Consumption	12 watt (Max) < 1 watt (Stand By Mode)
Operation Temperature	0° to 50°
Operation Humidity	80% (max)
Frame / VESA Mount	VESA 75 x 75 (Option)
Weight	N.W 1.7kgs / G.W 2.5kgs
	278 x 225 x 141

Dimensions



Ordering Information

MM-104	10.4" Monitor
MMT-104R	10.4" Monitor + 5-W Resistive touch screen

Contact Us


Macro Power
 Macro Power Technology Co., Ltd
 (T) +886-3-327-1733 (F) +886-3-327-1723
 sales@macropower.com.tw